

Qorvo® Switch Solutions

High-frequency switches enabling 5G, SRS and Wi-Fi connectivity

High frequency 5G bands, faster switching speeds



Enables 5G new radio (NR) coverage, SRS and low latency Wi-Fi and 5G speeds

Best-in-class insertion loss, isolation and linearity



Delivers enhanced system performance

Broadest, most scalable portfolio in the industry



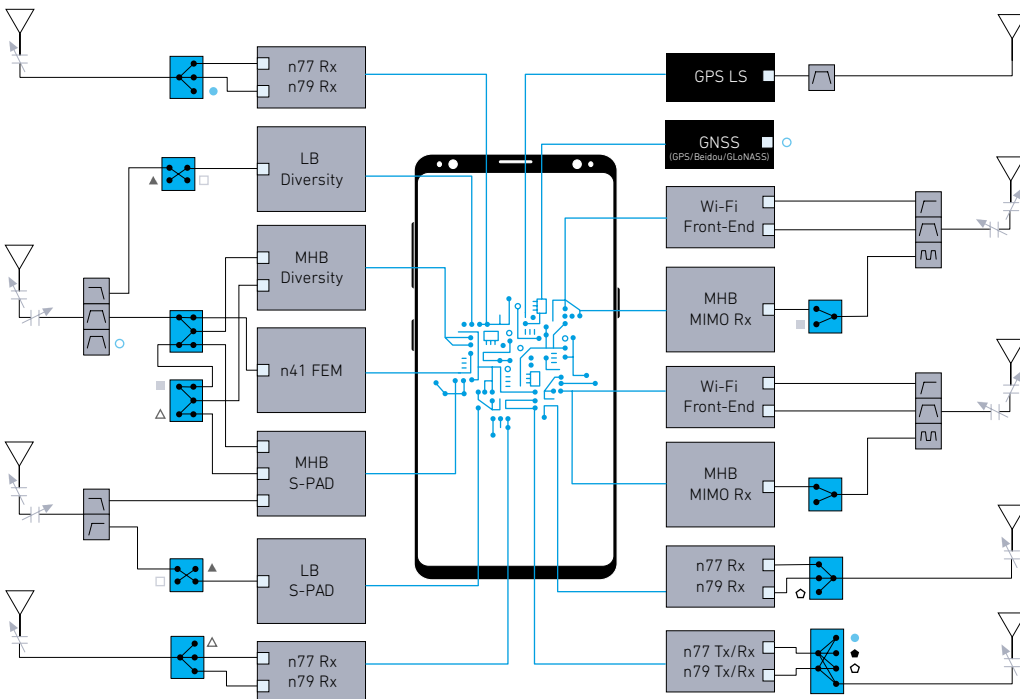
Supports multiple functions with solutions in a common footprint

Qorvo's proven quality and secure supply chain



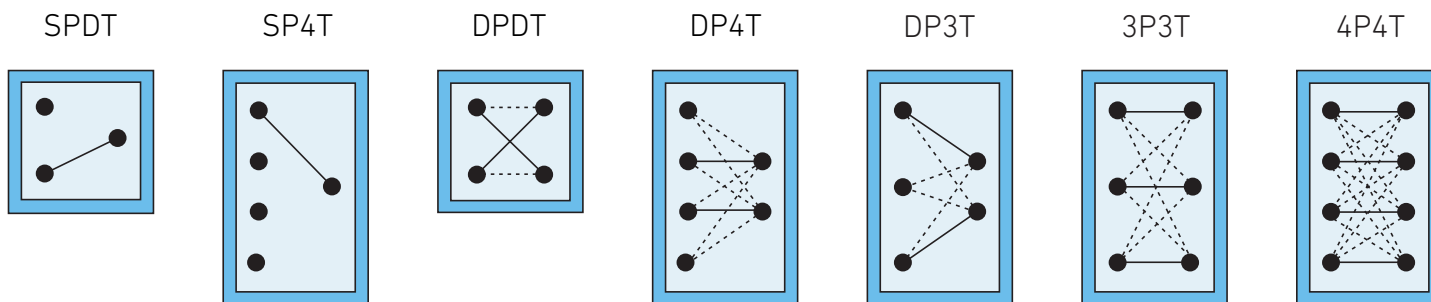
Ensures low defect rate for global high-volume production

5G Architecture with SRS



QM12102	● SPDT
QM12102H	
QM12112	
QM12630	
QM12648	● SP4T
QM12114	
QM11022	● DPDT
QM11022U	
QM11122	
QM11122A	● DP3T
QM11023	
QM11024	● DP4T
QM11124	
QM11033A	● 3P3T
QM11044A	● 4P4T

Qorvo's 5G Switch Portfolio



Function	Part Number	Size (mm)	Power Handling (dBm)	IL at 6 GHz (dB)	Isolation at 6 GHz (dB)	MIPI/GPIO
Wi-Fi SPDT (Low Vdd)	QM12102	1.1x0.7	30	0.6	20	GPIO
Wi-Fi SPDT	QM12102H	1.1x0.7	30	0.6	20	GPIO
SPDT	QM12112	1.1x0.7	38	0.65	20	GPIO
SPDT	QM12630	1.1x0.7	35	1	18.5	GPIO
SP4T	QM12648	1.1x1.1	35	1.3	20	GPIO
SP4T	QM12114	1.1x1.1	39	0.6	17	MIPI 2.0
DPDT	QM11022	1.1x1.5	39	0.6	18	GPIO
High Isol DPDT	QM11022U	1.1x1.5	39	1	32	GPIO
DPDT (Low Vdd)	QM11122	1.1x1.5	37.5	0.6	18	GPIO
High Isol DPDT (Low Vdd)	QM11122A	1.1x1.5	37.5	1	32	GPIO
DP3T	QM11023	2.0x2.0	37	0.8	30	MIPI 2.1
DP4T	QM11024	2.0x2.0	37	0.9	30	MIPI 2.1
Fast Switching DP4T	QM11124	2.0x2.0	37	0.9	30	MIPI 2.1
3P3T	QM11033A	2.0x2.0	37	1	25	MIPI 2.1
4P4T	QM11044A	2.0x2.4	37	1.3	25	MIPI 2.1

For more information on Qorvo's switch solutions, contact your local sales office and visit qorvo.com/mobile-products